

4

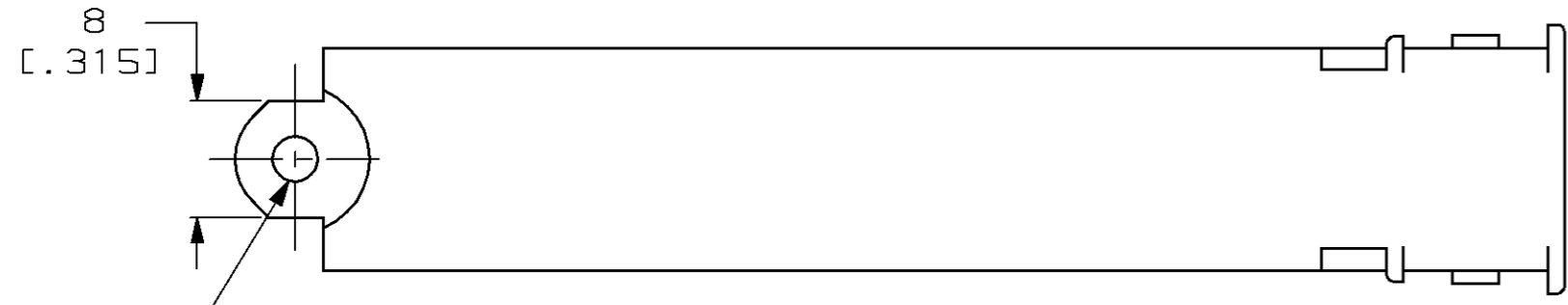
3

2

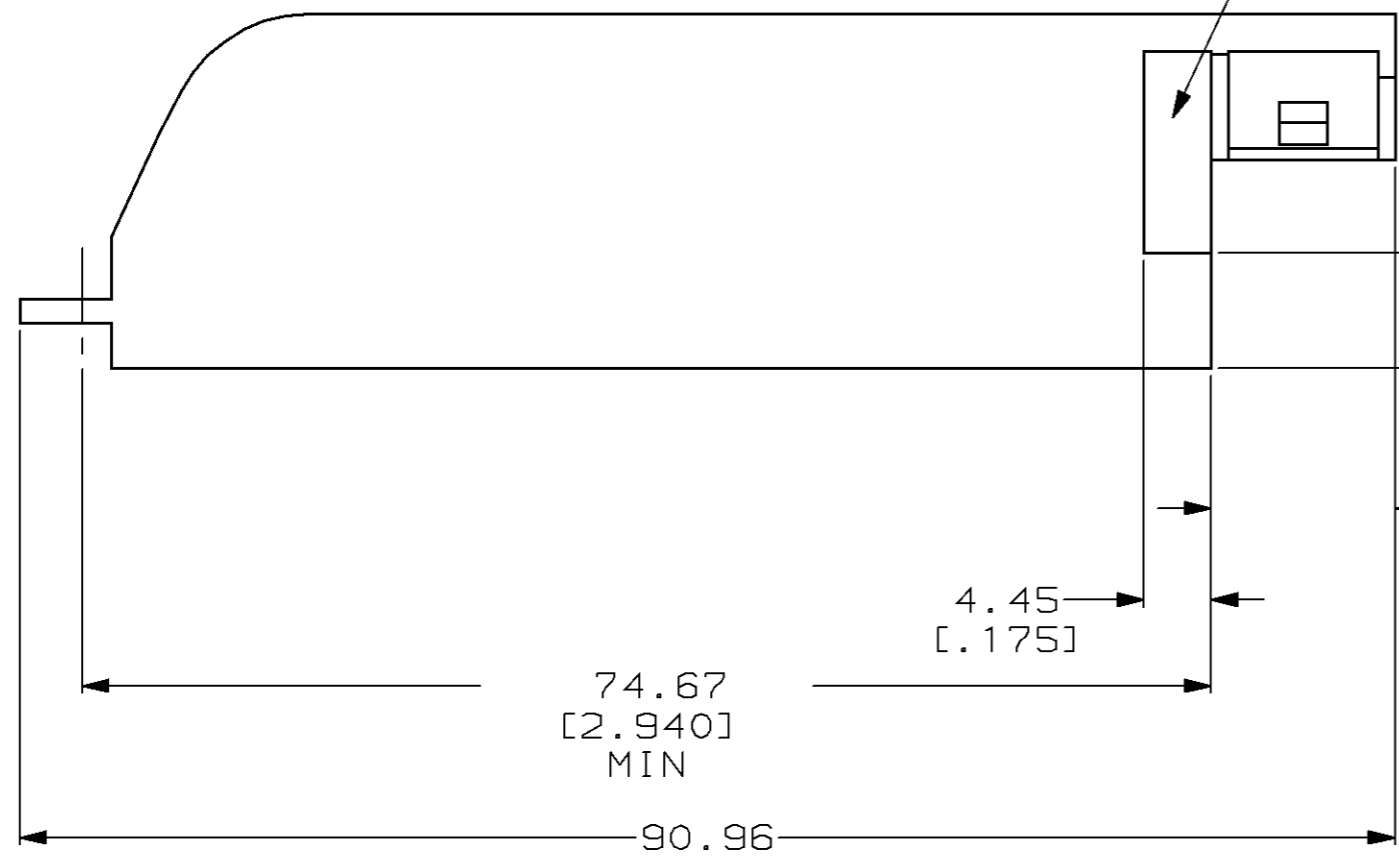
1

THIS DRAWING IS UNPUBLISHED. RELEASED FOR PUBLICATION ,19 .
 © COPYRIGHT 19 BY AMP INCORPORATED. ALL RIGHTS RESERVED.

LOC	DIST	REVISIONS			
P	LTR	DESCRIPTION	DATE	DWN	APVD
AA	20	A	REDRAWN PER EC 0502-0051-98	21 JAN 98	CW MH



8
[.315]
Ø3.15
[.124]
MAX



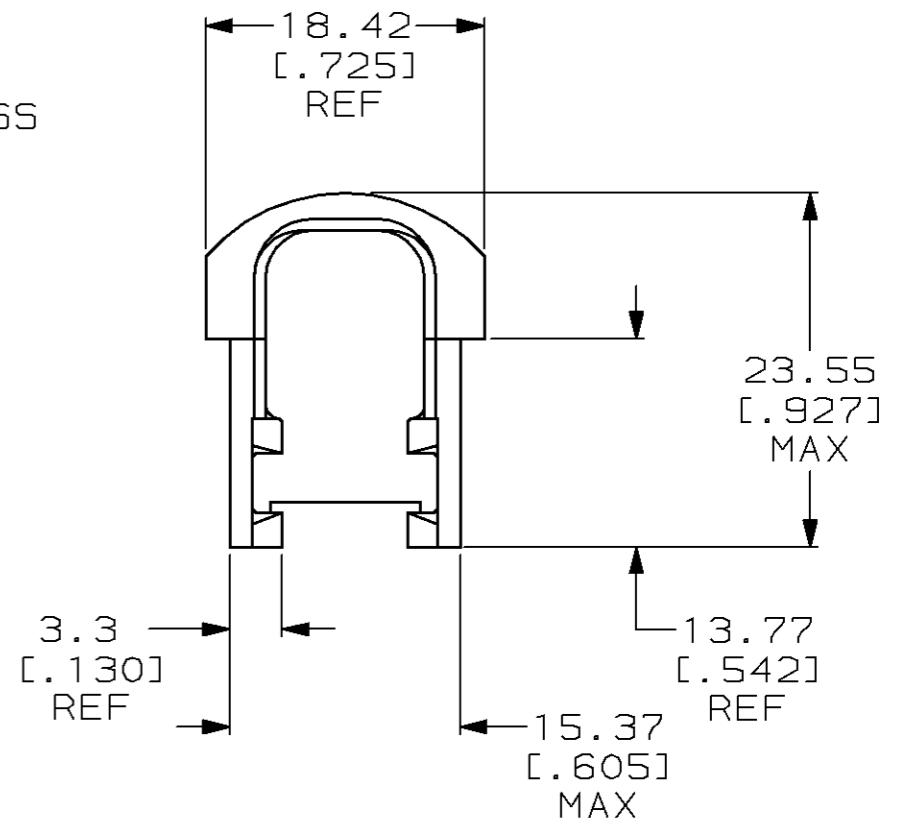
74.67
[2.940]
MIN

90.96
[3.581]
REF

4.45
[.175]

7.62
[.300]

1.45 [.057]
MIN DEEP RECESS



18.42
[.725]
REF

23.55
[.927]
MAX

13.77
[.542]
REF

15.37
[.605]
MAX

3.3
[.130]
REF

GRAY	552617-4
BLACK	552617-1
COLOR	PART NO.

THIS DRAWING IS A CONTROLLED DOCUMENT.		DWN T. PITTS 02JUL76	AMP Incorporated Harrisburg, PA 17105-3608	
DIMENSIONS: mm [INCHES]		CHK J. COMPTON 02JUL76		
TOLERANCES UNLESS OTHERWISE SPECIFIED:		APVD G.H. FOSTER 02JUL76	NAME COVER, SLIDE-ON, 50 POSN, CHAMP®	
0 PLC ±- 1 PLC ±- 2 PLC ±- 3 PLC ±.005 4 PLC ±- ANGLES ±-		PRODUCT SPEC -	RESTRICTED TO -	
MATERIAL NORYL 990		FINISH -	APPLICATION SPEC -	SIZE A3
		WEIGHT -	CAGE CODE 00779	DRAWING NO 552617
		CUSTOMER DRAWING	SCALE 2:1	SHEET 1 OF 1
			REV A	